



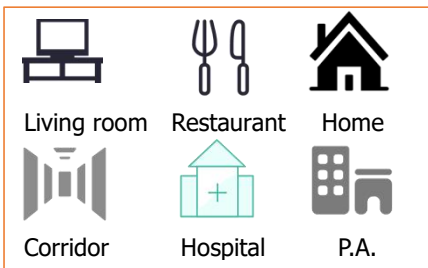
Features

- ✓ CRI>83
- ✓ IP44
- ✓ CCT Adjustable
- ✓ No Flicker UGR<19
- ✓ External cooling base

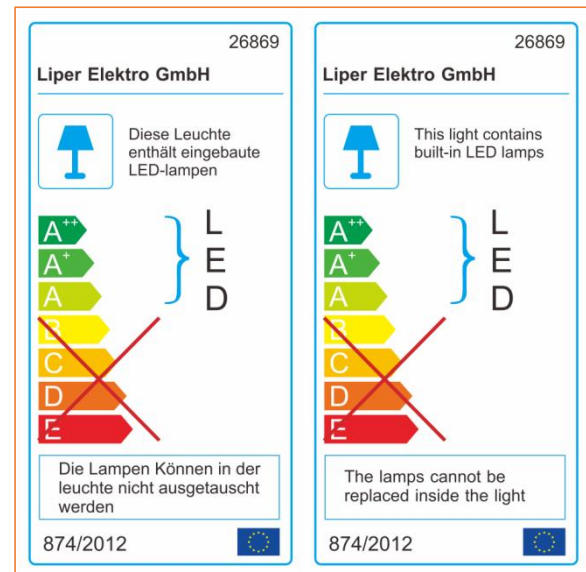
benefits

- ✓ High Energy Saving
- ✓ High Efficiency
- ✓ Eye Protection
- ✓ Long Life Time
- ✓ Private Mold

Application



Certificate



Specifications

Item Number	Power (W)	Power Factor	Lumen (lm)	Efficiency (lm/W)	Input Current	CRI	Color Temperature	Life Time (hrs)
LPCL-10H01-Y	10W	>0.5	1000 lm	100 lm/W	88mA	>83	3000K	50000
LPCL-10H01-Y	10W	>0.5	1000 lm	100 lm/W	88mA	>83	4000K	50000
LPCL-10H01-Y	10W	>0.5	1000 lm	100 lm/W	88mA	>83	6500K	50000
LPCL-10H01-Y	10W	>0.5	1000 lm	100 lm/W	88mA	>83	CCT Adjustable	50000
LPCL-10H01-YB	10W	>0.5	1000 lm	100 lm/W	88mA	>83	3000K	50000
LPCL-10H01-YB	10W	>0.5	1000 lm	100 lm/W	88mA	>83	4000K	50000
LPCL-10H01-YB	10W	>0.5	1000 lm	100 lm/W	88mA	>83	6500K	50000
LPCL-10H01-YB	10W	>0.5	1000 lm	100 lm/W	88mA	>83	CCT Adjustable	50000



Technical specifications

On/Off Cycles	>1000,000
Color Tolerance Adjustment (SDCM)	<6
IP	44
Class	II
LED Driver	DOB
LED Beads	S13-11.2 DC30V/300MA
Housing Color	Black/White
Pressure Resistant	3000V
Wire Diameter and Material	0.75 m ² Copper Wire

Electrical Supply

Power range	10W
Frequency (Hz)	50/60
Voltage (V)	100-240V
AC/DC	AC
Input Current	88mA
Output Voltage	DC30V
Output Current	270mA

Initial Performance (IEC Compliant)

Luminous Flux Tolerance	+/-10%
Power Consumption Tolerance	+/-10%

Lights Material

Housing Material	Die-Casting Aluminum
Optical Material	Plastic

Temperature

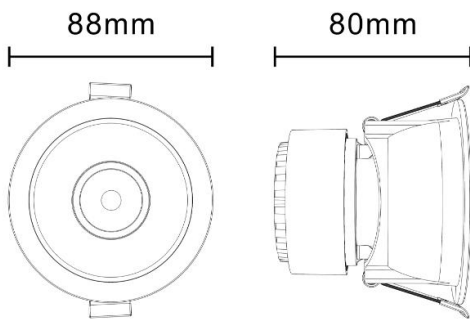
Operating Temperature -15°C ~ 50 °C

Testing Temperature -20°C ~ 95 °C

Packing Data

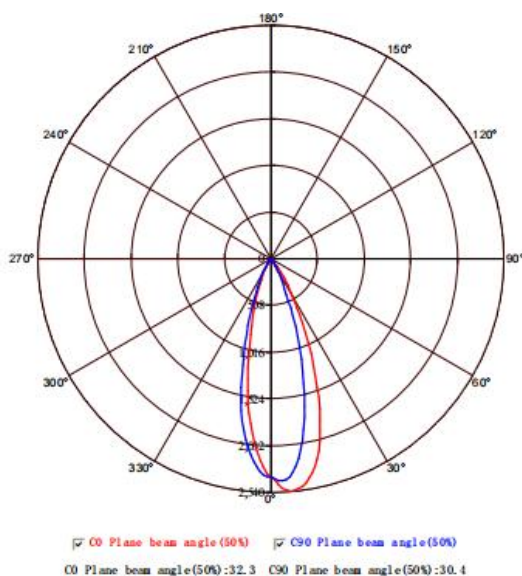
Item No	PCS/CTN	Gross Weight KG	Net Weight KG	Length CM	Width CM	Height CM
LPCL-10H01-Y	30	5.6	5.4	48	19	36
LPCL-10H01-YB	30	5.6	5.4	48	19	36

Dimensional Drawing



Item No	Power	Product size (mm)	Cut size (mm)
LPCL-10H01-Y	10W	85*88	75-80
LPCL-10H01-YB	10W	85*88	75-80

Planar Intensity Distribution Curve



Average Illumination

