



Features

- ✓ IP65
- ✓ IK10
- ✓ CRI>83
- ✓ >100lm/W

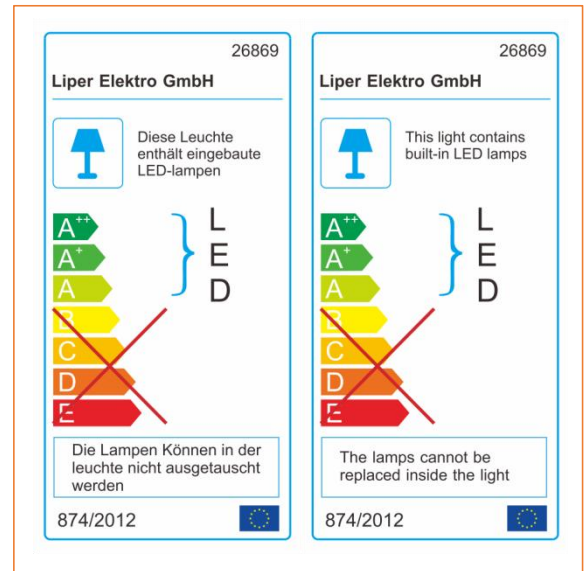
Benefits

- ✓ High Energy Saving
- ✓ High Efficiency
- ✓ Long Life Time
- ✓ Private Mold

Application



Certificate



Specifications

| Item Number | Power (W) | Power Factor | Lumen (lm) | Efficiency (lm/W) | Input Current | CRI | Color Temperature | Life Time (hrs) |
|-------------|-----------|--------------|------------|-------------------|---------------|-----|-------------------|-----------------|
| LPUF-100E01 | 100W | >0.5 | 12000 lm | 120 lm/W | 0.68A | >83 | Cool White | 50000 |
| LPUF-100E01 | 100W | >0.5 | 12000 lm | 120 lm/W | 0.68A | >83 | Natural White | 50000 |
| LPUF-100E01 | 100W | >0.5 | 12000 lm | 120 lm/W | 0.68A | >83 | Warm White | 50000 |
| LPUF-150E01 | 150W | >0.5 | 18000 lm | 120 lm/W | 0.98A | >83 | Cool White | 50000 |
| LPUF-150E01 | 150W | >0.5 | 18000 lm | 120 lm/W | 0.98A | >83 | Natural White | 50000 |
| LPUF-150E01 | 150W | >0.5 | 18000 lm | 120 lm/W | 0.98A | >83 | Warm White | 50000 |



Technical specifications

| | |
|-----------------------------------|----------------------------------|
| On/Off Cycles | >100,000 |
| Color Tolerance Adjustment (SDCM) | <6 |
| IP | 65 |
| Class | I |
| LED Driver | DOB |
| Housing Color | Black |
| Pressure Resistant | 1500V |
| Wire Diameter and Material | 0.75 mm ² Copper Wire |

Electrical Supply

| | | |
|----------------|---------|---------|
| Power Range | 100W | 150W |
| Frequency (Hz) | 50/60 | 50/60 |
| Voltage (V) | 100-240 | 100-240 |
| AC/DC | AC | AC |
| Output Current | 1.25A | 1.87A |
| Output Voltage | 72V | 72V |

Initial Performance (IEC Compliant)

| | |
|-----------------------------|--------|
| Luminous Flux Tolerance | +/-10% |
| Power Consumption Tolerance | +/-10% |

Lights Material

| | |
|------------------|----------------------|
| Housing Material | Die-Casting Aluminum |
| Optical Material | Glass |

Temperature

| | |
|-----------------------|---------------|
| Operating Temperature | -45°C ~ 50 °C |
| Testing Temperature | -45°C ~ 95 °C |

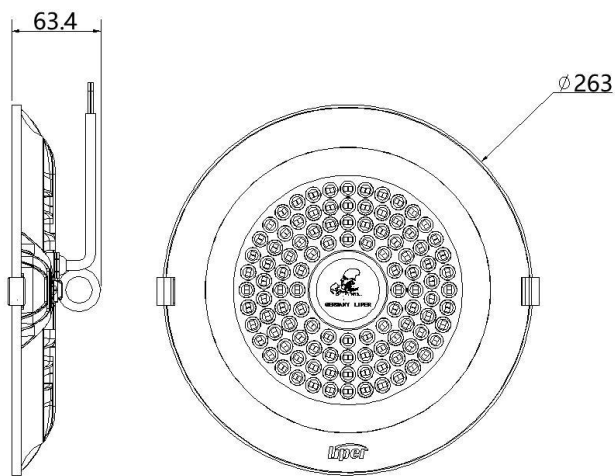


Packing Data

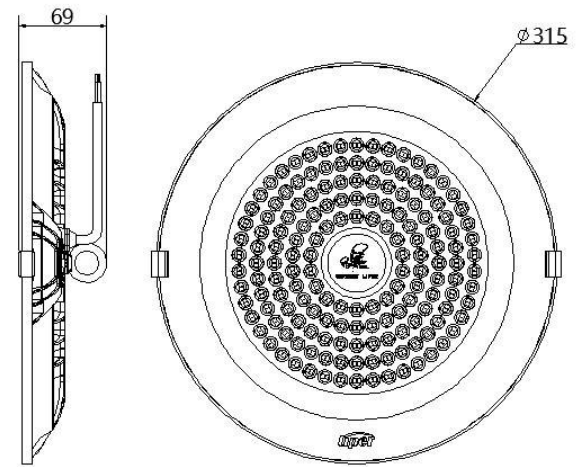
| Item No | PCS/CTN | Gross Weight KG | Net Weight KG | Length CM | Width CM | Height CM |
|-------------|---------|-----------------|---------------|-----------|----------|-----------|
| LPUF-100E01 | 10 | 11.7 | 10.5 | 55.5 | 32.5 | 28.5 |
| LPUF-150E01 | 5 | 9.1 | 7.8 | 33.5 | 32.5 | 33.5 |

Dimensional Drawing

100W



150W



| Item No | Power | Diameter (mm) | Height (mm) |
|-------------|-------|---------------|-------------|
| LPUF-100E01 | 150W | 263 | 63.4 |
| LPUF-150E01 | 200W | 315 | 69 |

