



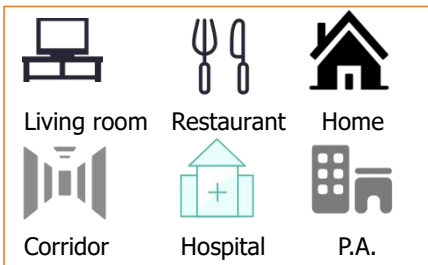
Features

- ✓ CRI>83
- ✓ IP40
- ✓ CCT Adjustable
- ✓ No Flicker UGR<19
- ✓ External cooling base

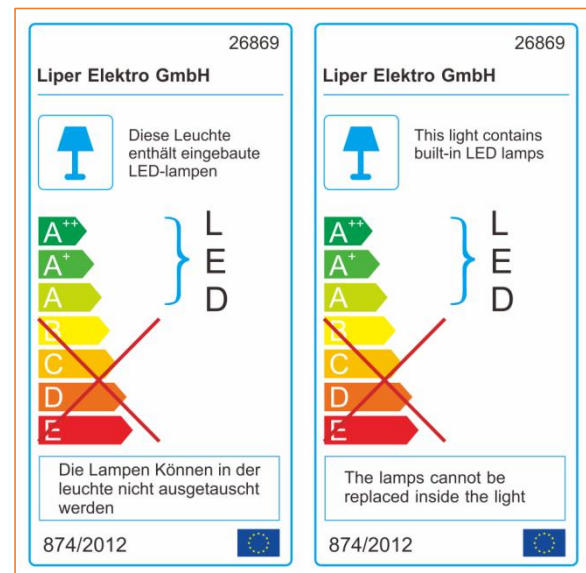
Benefits

- ✓ High Energy Saving
- ✓ High Efficiency
- ✓ Eye Protection
- ✓ Long Life Time
- ✓ Private Mold

Application



Certificate



specifications

Item Number	Power (W)	Power Factor	Lumen (lm)	Efficiency (lm/W)	Input Current	CRI	Color Temperature	Life Time (hrs)
LPCL-10H02-Y	10W	>0.5	1000 lm	100 lm/W	88mA	>83	3000K	50000
LPCL-10H02-Y	10W	>0.5	1000 lm	100 lm/W	88mA	>83	4000K	50000
LPCL-10H02-Y	10W	>0.5	1000 lm	100 lm/W	88mA	>83	6500K	50000
LPCL-10H02-Y	10W	>0.5	1000 lm	100 lm/W	88mA	>83	CCT Adjustable	50000
LPCL-10H02-YB	10W	>0.5	1000 lm	100 lm/W	88mA	>83	3000K	50000
LPCL-10H02-YB	10W	>0.5	1000 lm	100 lm/W	88mA	>83	4000K	50000
LPCL-10H02-YB	10W	>0.5	1000 lm	100 lm/W	88mA	>83	6500K	50000
LPCL-10H02-YB	10W	>0.5	1000 lm	100 lm/W	88mA	>83	CCT Adjustable	50000



Technical specifications

On/Off Cycles	>1000,000
Color Tolerance Adjustment (SDCM)	<6
IP	40
Class	II
LED Driver	DOB
LED Beads	S13-11.2 DC30V/300MA
Housing Color	Black/White
Pressure Resistant	3000V
Wire Diameter and Material	0.75 m ² Copper Wire

Electrical Supply

Power range	10W
Frequency (Hz)	50/60
Voltage (V)	100-240V
AC/DC	AC
Input Current	88mA
Output Voltage	DC30V
Output Current	270mA

Initial Performance (IEC Compliant)

Luminous Flux Tolerance	+/-10%
Power Consumption Tolerance	+/-10%

Lights Material

Housing Material	Die-Casting Aluminum
Optical Material	Plastic



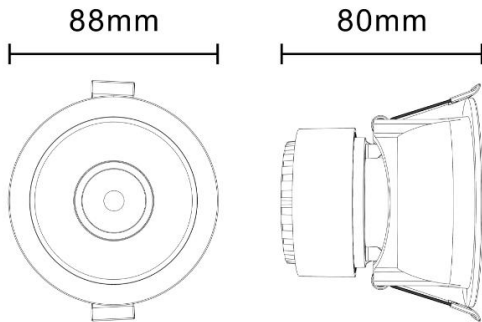
Temperature

Operating Temperature	-15°C ~ 50 °C
Testing Temperature	-20°C ~ 95 °C

Packing Data

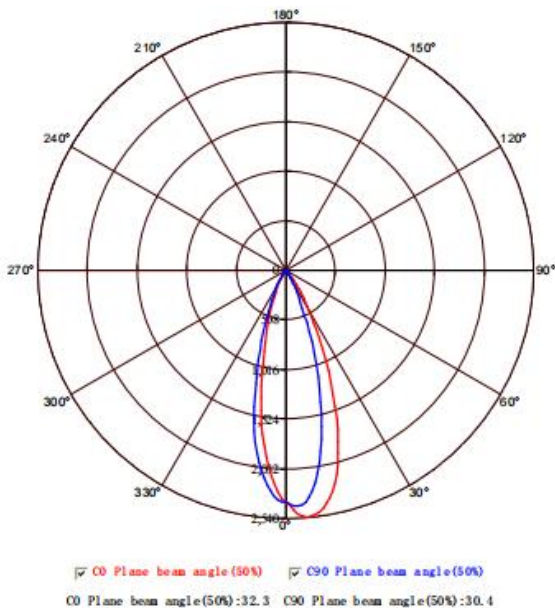
Item No	PCS/CTN	Gross Weight KG	Net Weight KG	Length CM	Width CM	Height CM
LPCL-10H02-Y	30	5.6	5.4	48	19	36
LPCL-10H02-YB	30	5.6	5.4	48	19	36

Dimensional Drawing

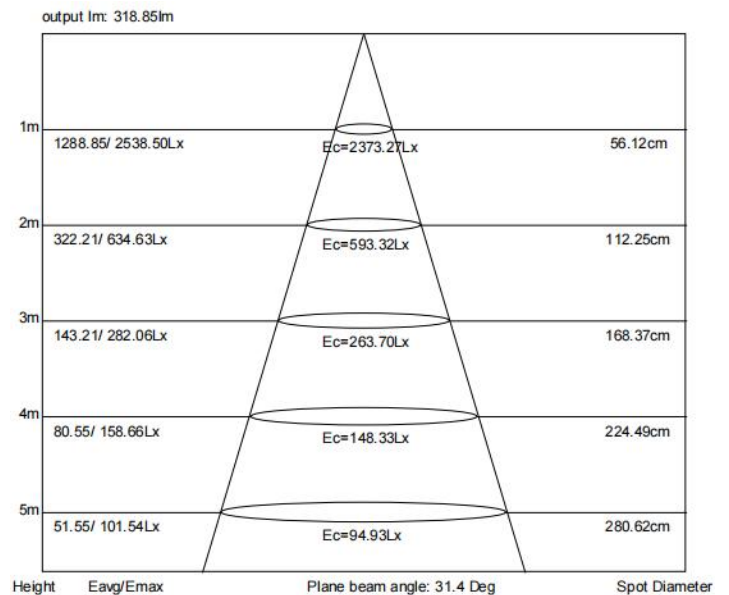


Item No	Power	Product size (mm)	Cut size (mm)
LPCL-10H02-Y	10W	85*88	75-80
LPCL-10H02-YB	10W	85*88	75-80

Planar Intensity Distribution Curve



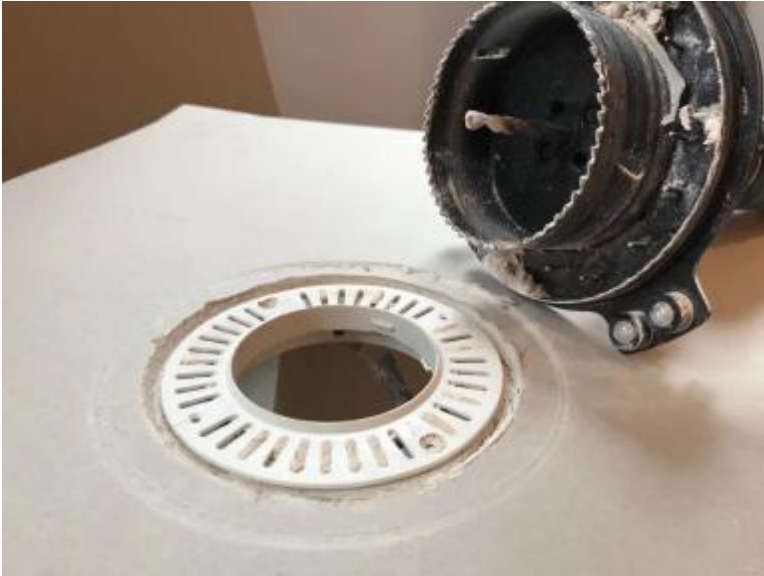
Average Illumination



Installation Way

Pre-Embedded Downlight

1, Pre-drilled holes in the ceiling with sink hole opener



2, Fix the outside circle with the screw, then plaster



3, Wait until the plaster totally dry, take out the light cup



4, then install the lightbody to the hole



