



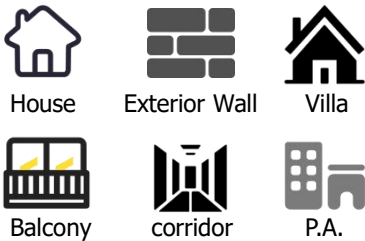
Features

- ✓ IP65
- ✓ CRI>83
- ✓ No Flicker UGR<19
- ✓ Unique Design
- ✓ Elegant Appearance

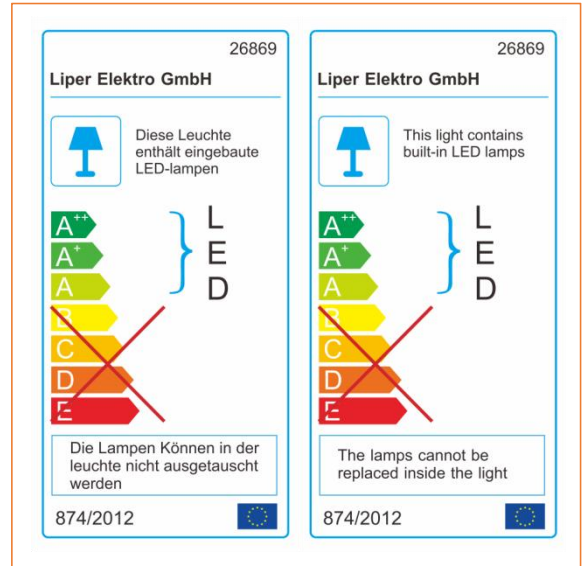
Benefits

- ✓ High Energy Saving
- ✓ High Efficiency
- ✓ Eye Protection
- ✓ Long Life Time
- ✓ Private Mold

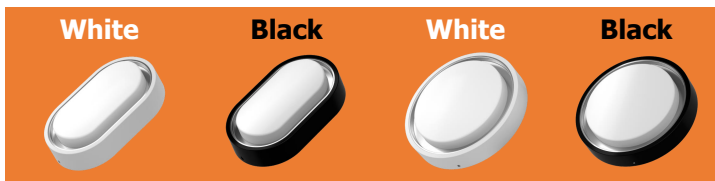
Application



Certificate



Lights Body



specifications

Item Number	Power (W)	Power Factor	Lumen (lm)	Efficiency (lm/W)	Input Current	CRI	Color Temperature	Life Time (hrs)
LP-DL20MF01-T	20W	>0.5	2000 lm	100 lm/W	170mA	>83	CW/NW/WW	50000
LP-DL30MF01-Y	30W	>0.5	3000 lm	100 lm/W	240mA	>83	CW/NW/WW	50000
LP-DL20MF01-TB	20W	>0.5	2000 lm	100 lm/W	170mA	>83	CW/NW/WW	50000
LP-DL30MF01-YB	30W	>0.5	3000 lm	100 lm/W	240mA	>83	CW/NW/WW	50000



Technical specifications

On/Off Cycles	>100,000
Color Tolerance Adjustment (SDCM)	<6
IP	65
Class	II
LED Driver	DOB
LED Beads	2835 3V/150MA 0.5W
Housing Color	White/Black
Pressure Resistant	3000V
Wire Diameter and Material	0.75 m ² Copper Wire

Electrical Supply

Power Range	20W	30W
Frequency (Hz)	50/60	50/60
Voltage (V)	100-240	100-240
AC/DC	AC	AC
Input Current	170mA	240mA
Output Voltage	DC84V	DC84V
Output Current	215mA	320mA

Initial Performance (IEC Compliant)

Luminous Flux Tolerance	+/-10%
Power Consumption Tolerance	+/-10%

Lights Material

Housing Material	Die-Casting Aluminum
Optical Material	Plastic

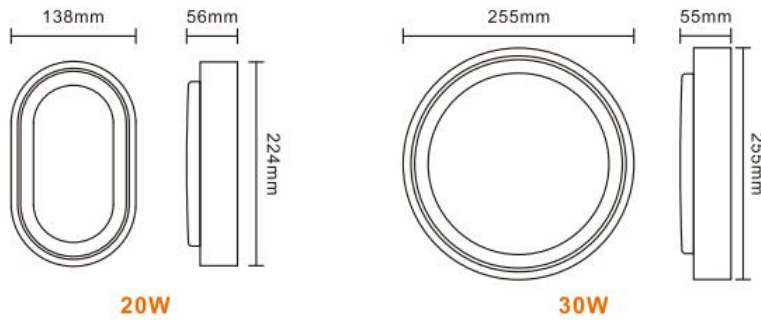
Temperature

Operating Temperature	-15°C ~ 50 °C
Testing Temperature	-20°C ~ 95 °C

Packing Data

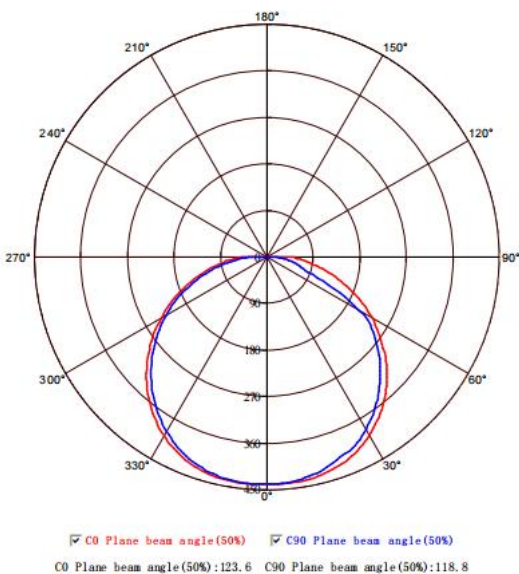
Item No	PCS/CTN	Gross Weight KG	Net Weight KG	Length CM	Width CM	Height CM
LP-DL20MF01-T	20	11.9	10.7	46.5	29.5	33
LP-DL30MF01-Y	10	9.7	8.2	52.5	32	27.5

Dimensional Drawing



Item No	Power	Length (mm)	Width (mm)	Height (mm)
LP-DL20MF01-T	20W	224	138	56
LP-DL30MF01-Y	30W	255	255	55

Planar Intensity Distribution Curve



Average Illumination

