



### Features

- ✓ CCT Adjustable
- ✓ CRI>80
- ✓ IP65 Waterproof
- ✓ No Flicker
- ✓ Up&Down and Side Lit

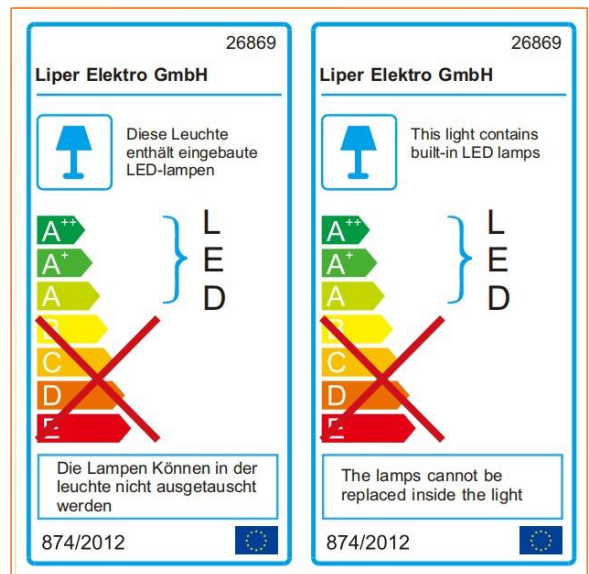
### Benefits

- ✓ High Energy Saving
- ✓ High Efficiency
- ✓ Eye Protection
- ✓ Long Life Time
- ✓ Private Mold

### Application



### Certificate



### specifications

| Item Number  | Power (W) | Power Factor | Lumen (lm) | Efficiency (lm/W) | Input Current | CRI | Color Temperature | Life Time (hrs) |
|--------------|-----------|--------------|------------|-------------------|---------------|-----|-------------------|-----------------|
| LPWL-14C01-Y | 2*7W      | >0.5         | 840 lm     | 60 lm/W           | 140mA         | >80 | 3000K             | 50000           |
| LPWL-14C01-Y | 2*7W      | >0.5         | 840 lm     | 60 lm/W           | 140mA         | >80 | 4000K             | 50000           |
| LPWL-14C01-Y | 2*7W      | >0.5         | 840 lm     | 60 lm/W           | 140mA         | >80 | 6500K             | 50000           |
| LPWL-14C01-Y | 2*7W      | >0.5         | 840 lm     | 60 lm/W           | 140mA         | >80 | CCT               | 50000           |
| LPWL-20C01-Y | 2*10W     | >0.5         | 1200 lm    | 60 lm/W           | 180mA         | >80 | 3000K             | 50000           |
| LPWL-20C01-Y | 2*10W     | >0.5         | 1200 lm    | 60 lm/W           | 180mA         | >80 | 4000K             | 50000           |
| LPWL-20C01-Y | 2*10W     | >0.5         | 1200 lm    | 60 lm/W           | 180mA         | >80 | 6500K             | 50000           |
| LPWL-20C01-Y | 2*10W     | >0.5         | 1200 lm    | 60 lm/W           | 180mA         | >80 | CCT               | 50000           |



Technical specifications

|                                   |                                  |
|-----------------------------------|----------------------------------|
| On/Off Cycles                     | 100,000                          |
| Color Tolerance Adjustment (SDCM) | <6                               |
| IP                                | 65                               |
| Class                             | I                                |
| LED Driver                        | DOB                              |
| LED Beads                         | 2835 6V/150MA                    |
| Housing Color                     | Black                            |
| Pressure Resistant                | 1500V                            |
| Wire Diameter and Material        | 0.75 mm <sup>2</sup> Copper Wire |

Electrical Supply

|                |         |         |
|----------------|---------|---------|
| Power Range    | 14W     | 20W     |
| Frequency (Hz) | 50/60   | 50/60   |
| Voltage (V)    | 100-240 | 100-240 |
| AC/DC          | AC      | AC      |
| Input Current  | 140mA   | 180mA   |
| Output Voltage | DC84V   | DC156V  |
| Output Current | 150mA   | 115mA   |

Initial Performance (IEC Compliant)

|                             |        |
|-----------------------------|--------|
| Luminous Flux Tolerance     | +/-10% |
| Power Consumption Tolerance | +/-10% |

Lights Material

|                  |                      |
|------------------|----------------------|
| Housing Material | Die-Casting Aluminum |
| Optical Material | Plastic              |

Temperature

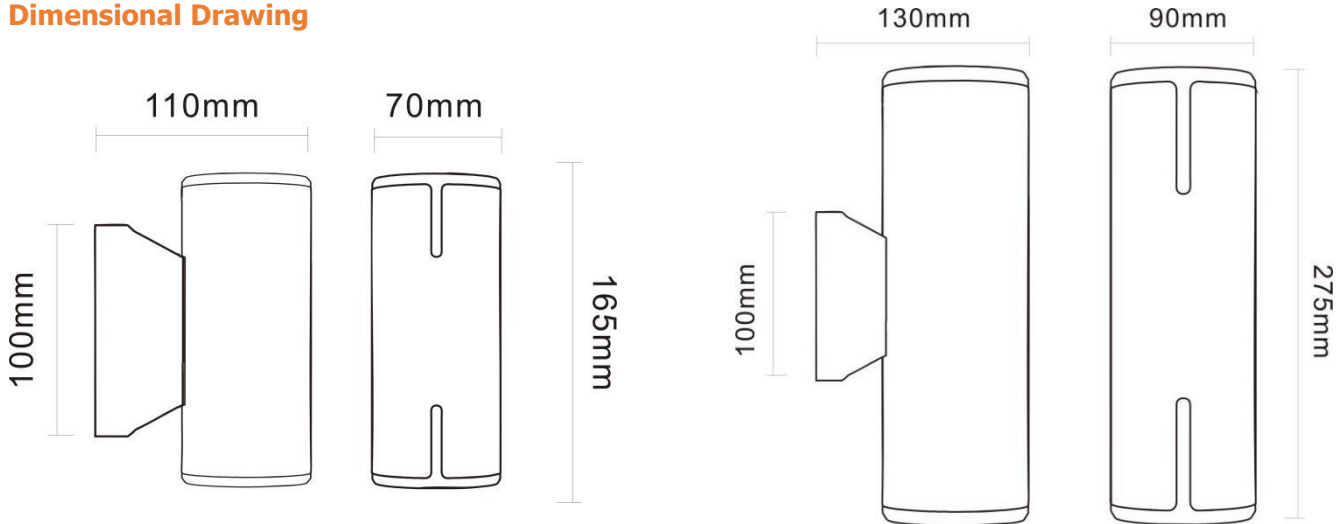
|                       |               |
|-----------------------|---------------|
| Operating Temperature | -45°C ~ 50 °C |
| Testing Temperature   | -45°C ~ 80 °C |



**Packing Data**

| Item No      | PCS/CTN | Gross Weight<br>KG | Net Weight<br>KG | Length<br>CM | Width<br>CM | Height<br>CM |
|--------------|---------|--------------------|------------------|--------------|-------------|--------------|
| LPWL-14C01-Y | 20      | 8.2                | 7.3              | 39           | 35.5        | 25           |
| LPWL-20C01-Y | 10      | 8                  | 7.2              | 48.5         | 29          | 29           |

**Dimensional Drawing**



| Item No      | Power | Diameter<br>(mm) | Height<br>(mm) |
|--------------|-------|------------------|----------------|
| LPWL-14C01-Y | 14W   | 70               | 165            |
| LPWL-20C01-Y | 20W   | 90               | 275            |

**Average Illumination**

**Planar Intensity Distribution Curve**

**! ambient lighting**  
**no beam angle parameters**

