



Features

- ✓ IP65
- ✓ CRI>83
- ✓ Anti-Insect
- ✓ No Flicker UGR<19
- ✓ Back-lit and Side-Lit

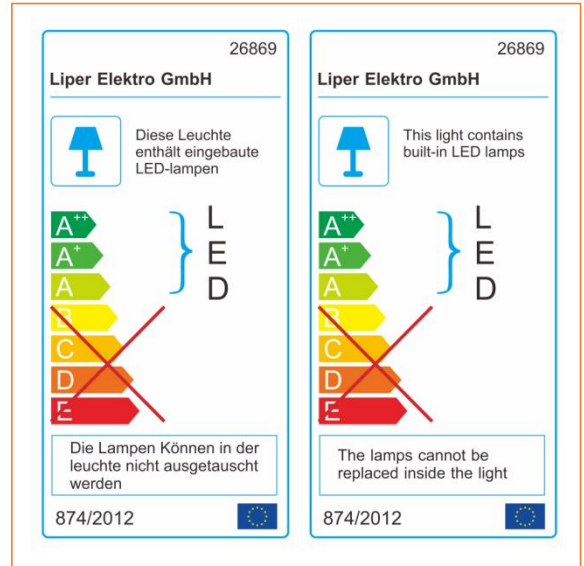
Benefits

- ✓ High Energy Saving
- ✓ High Efficiency
- ✓ Eye Protection
- ✓ Long Life Time
- ✓ Private Mold

Application



Certificate



Four Colors Frame



Four Control Mode



Specifications

Item Number	Power (W)	Power Factor	Lumen (lm)	Efficiency (lm/W)	Input Current	CRI	Color Temperature	Life Time (hrs)
LP-DL20MA01-Y	20W	>0.65	2000 lm	100 lm/W	170mA	>83	CW/NW/WW/CCT	50000
LP-DL30MA01-Y	30W	>0.65	3000 lm	100 lm/W	240mA	>83	CW/NW/WW/CCT	50000
LP-DL40MA01-Y	40W	>0.65	4000 lm	100 lm/W	310mA	>83	CW/NW/WW/CCT	50000
LP-DL50MA01-Y	50W	>0.65	5000 lm	100 lm/W	380mA	>83	CW/NW/WW/CCT	50000
LP-DL60MA01-Y	60W	>0.65	6000 lm	100 lm/W	430mA	>83	CW/NW/WW/CCT	50000
LP-DL30MA01-F	30W	>0.65	3000 lm	100 lm/W	240mA	>83	CW/NW/WW/CCT	50000
LP-DL40MA01-F	40W	>0.65	4000 lm	100 lm/W	310mA	>83	CW/NW/WW/CCT	50000

Technical specifications

On/Off Cycles	>100,000
Color Tolerance Adjustment (SDCM)	<6
IP	65
Class	II
LED Driver	DOB
LED Beads	2835 3V/150MA 0.5W
Housing Color	White/Black/Gold/Wooden
Pressure Resistant	3000V
Wire Diameter and Material	0.75 mm ² Copper Wire

Electrical Supply

Power Range	20W	30W	40W	50W	60W
Frequency (Hz)	50/60	50/60	50/60	50/60	50/60
Voltage (V)	100-240	100-240	100-240	100-240	100-240
AC/DC	AC	AC	AC	AC	AC
Input Current	170mA	240mA	310mA	380mA	430mA
Output Voltage	DC72V	DC120V	DC72V	DC144V	DC132V
Output Current	250mA	225mA	500mA	310mA	410mA



Initial Performance (IEC Compliant)

Luminous Flux Tolerance	+/-10%
Power Consumption Tolerance	+/-10%

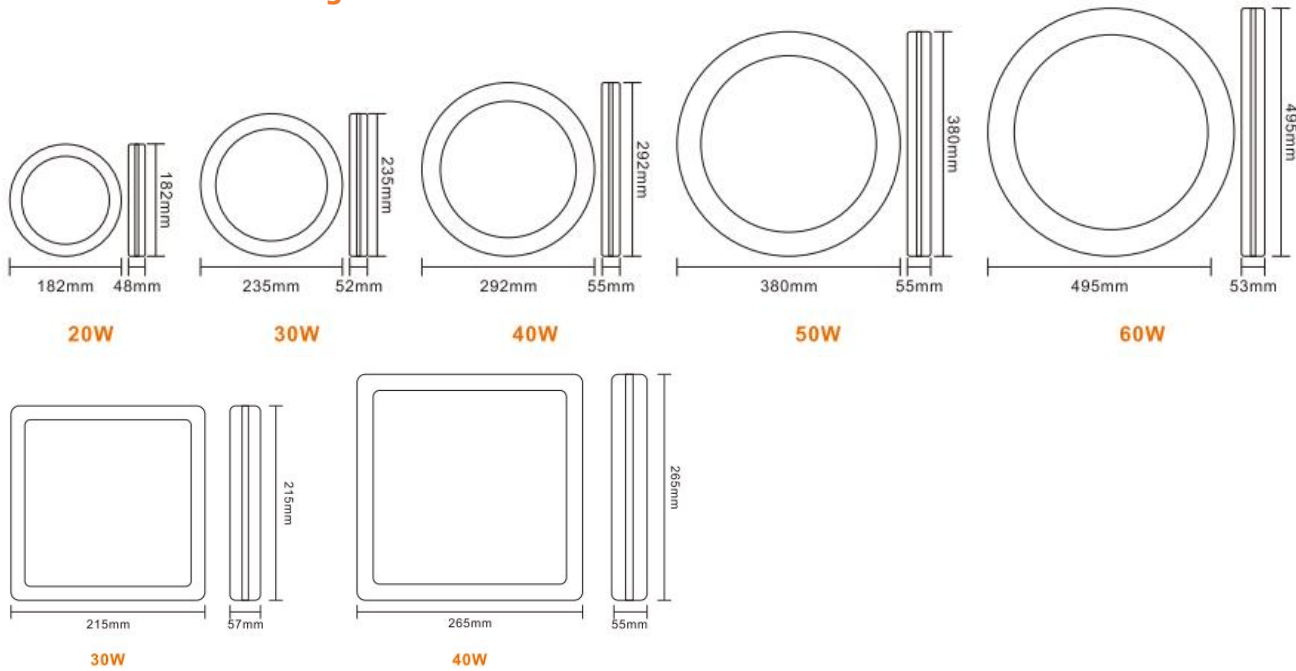
Lights Material

Housing Material	Plastic
Optical Material	Plastic

Temperature

Operating Temperature	-15°C ~ 50 °C
Testing Temperature	-20°C ~ 95 °C

Dimensional Drawing

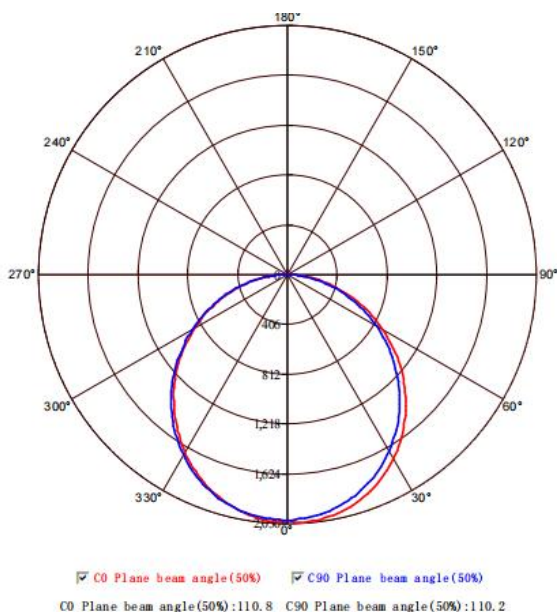


Item No	Power	Length (mm)	Width (mm)	Height (mm)
LP-DL20MA01-Y	20W	182	182	48
LP-DL30MA01-Y	30W	235	235	52
LP-DL40MA01-Y	40W	292	292	55
LP-DL50MA01-Y	50W	380	380	55
LP-DL60MA01-Y	60W	495	495	53
LP-DL30MA01-F	30W	215	215	57
LP-DL40MA01-F	40W	265	265	55

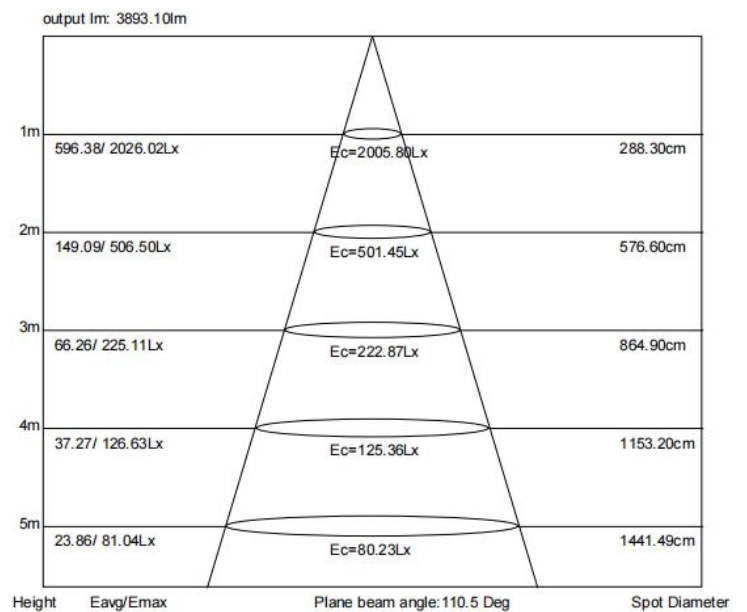
Packing Data

Item No	PCS/CTN	Gross Weight KG	Net Weight KG	Length CM	Width CM	Height CM
LP-DL20MA01-Y	24	7.5	5.5	56.5	21	38.5
LP-DL30MA01-Y	12	5.9	4.2	47.5	35.5	25.5
LP-DL40MA01-Y	9	6.7	4.8	55	30.5	31
LP-DL50MA01-Y	6	8.3	6.4	40	39.5	40.5
LP-DL60MA01-Y	5	11.9	9.3	52	36.5	52
LP-DL30MA01-F	12	5.9	4.6	44.5	36	24
LP-DL40MA01-F	9	6.6	5.0	55.5	29	29

Planar Intensity Distribution Curve



Average Illumination



Application Scenarios

