



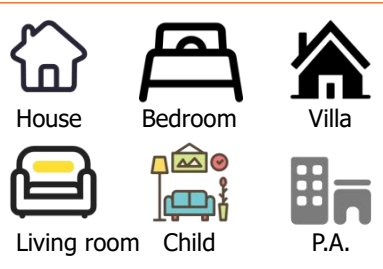
Features

- ✓ CRI>90
- ✓ Eye-Protection
- ✓ Anti Blue Light
- ✓ No Flicker UGR<19
- ✓ Multiple Colour

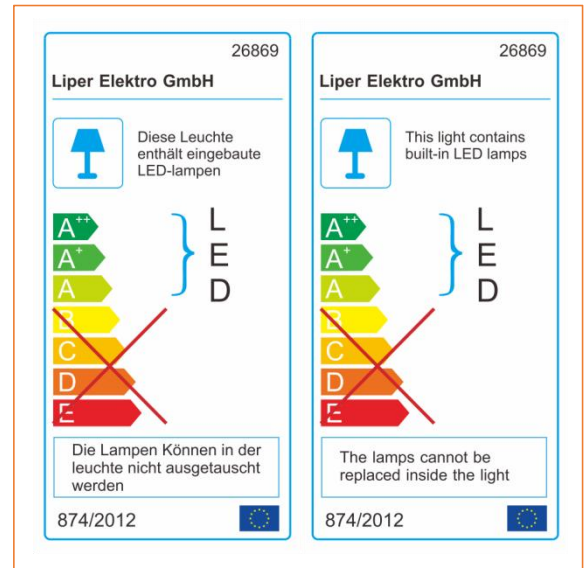
Benefits

- ✓ High Energy Saving
- ✓ High Efficiency
- ✓ Eye Protection
- ✓ Long Life Time
- ✓ Private Mold

Application



Certificate



Seven Colors Frame



Specifications

Item Number	Power (W)	Power Factor	Lumen (lm)	Efficiency (lm/W)	Input Current	CRI	Color Temperature	Life Time (hrs)
LPDL-40MW01-Y	40W	>0.5	4000 lm	100 lm/W	350mA	>90	CW/NW/WM/CCT	50000
LPDL-50MW01-Y	50W	>0.5	5000 lm	100 lm/W	450mA	>90	CW/NW/WM/CCT	50000



Technical specifications

On/Off Cycles	>100,000
Color Tolerance Adjustment (SDCM)	<6
IP	44
Class	II
LED Driver	Non-isolated constant current
LED Beads	2835 3V/150MA 0.5W
Housing Color	White/Black/Gold/Wooden/Blue/Pink/Silver
Pressure Resistant	3000V
Wire Diameter and Material	0.75 m ² Copper Wire

Electrical Supply

Power Range	40W	50W
Frequency (Hz)	50/60	50/60
Voltage (V)	100-240	100-240
AC/DC	AC	AC
Input Current	350mA	450mA
Output Voltage	DC114V	DC144V
Output Current	315mA	315mA

Initial Performance (IEC Compliant)

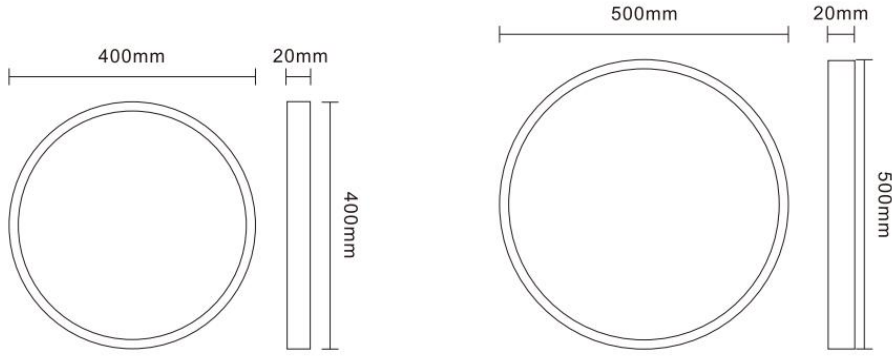
Luminous Flux Tolerance	+/-10%
Power Consumption Tolerance	+/-10%

Lights Material

Housing Material	Plastic
Optical Material	Plastic

Temperature	
Operating Temperature	-15°C ~ 50 °C
Testing Temperature	-20°C ~ 95 °C

Dimensional Drawing

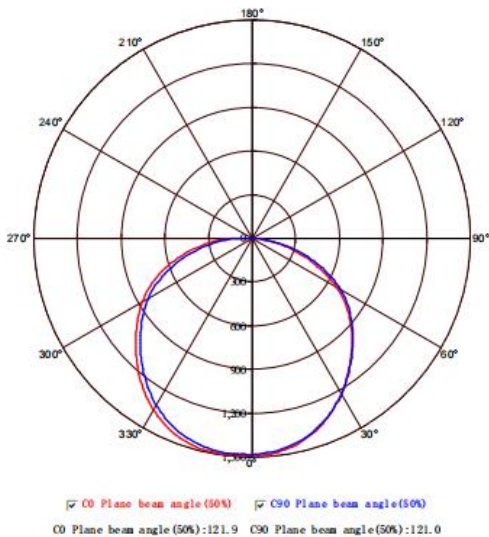


Item No	Power	Diameter (mm)	Height (mm)
LPDL-40MW01-Y	40W	400	20
LPDL-50MW01-Y	50W	500	20

Packing Data

Item No	PCS/CTN	Gross Weight KG	Net Weight KG	Length CM	Width CM	Height CM
LPDL-40MW01-Y	10	14	10.9	40.5	37.5	42.5
LPDL-50MW01-Y	8	16.4	13.3	50.5	30.5	52.5

Planar Intensity Distribution Curve



Average Illumination

