

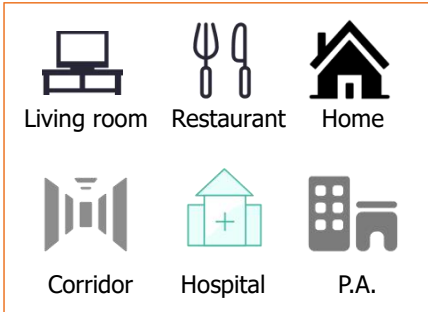
Features

- ✓ CCT Adjustable
- ✓ CRI>83
- ✓ IP44
- ✓ No Flicker UGR<19
- ✓ Back-Lit and Sid-Lit

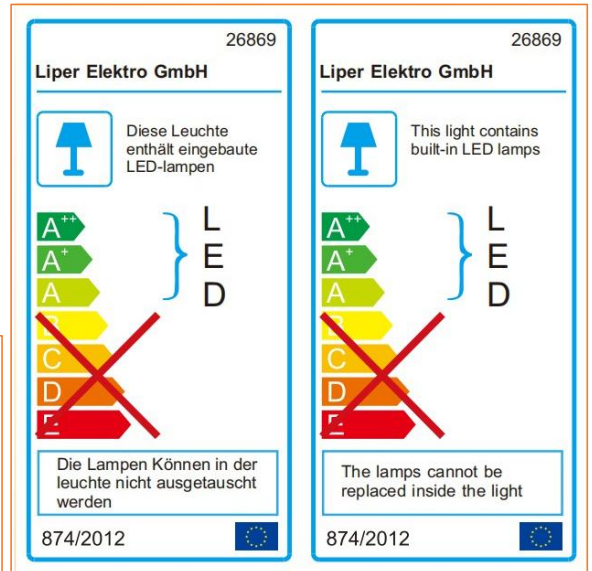
Benefits

- ✓ High Energy Saving
- ✓ High Efficiency
- ✓ Eye Protection
- ✓ Long Life Time
- ✓ Private Mold

Application



Certificate



Specifications

Item Number	Power (W)	Power Factor	Lumen (lm)	Efficiency (lm/W)	Input Current	CRI	Color Temperature	Life Time (hrs)
LPDL-10GS01-Y	10W	>0.5	1000 lm	100 lm/W	88mA	>83	WW/CW/NW/CCT	50000
LPDL-15GS01-Y	15W	>0.5	1500 lm	100 lm/W	120mA	>83	WW/CW/NW/CCT	50000
LPDL-10GS01-YB	10W	>0.5	1000 lm	100 lm/W	88mA	>83	WW/CW/NW/CCT	50000
LPDL-15GS01-YB	15W	>0.5	1500 lm	100 lm/W	120mA	>83	WW/CW/NW/CCT	50000



Technical specifications

On/Off Cycles	>1000,000
Color Tolerance Adjustment (SDCM)	<6
IP	44
Class	II
LED Driver	DOB
LED Beads	S1313-11.2 DC30V/300MA
Housing Color	Black/White
Pressure Resistant	3000V
Wire Diameter and Material	0.75 m ² Copper Wire

Electrical Supply

Power Range	10W	15W
Frequency (Hz)	50/60	50/60
Voltage (V)	100-240V	100-240V
AC/DC	AC	AC
Input Current	88mA	120mA
Output Voltage	DC30V	DC45V
Output Current	270mA	270mA

Initial Performance (IEC Compliant)

Luminous Flux Tolerance	+/-10%
Power Consumption Tolerance	+/-10%

Lights Material

Housing Material	Die-Casting Aluminum
Optical Material	Plastic

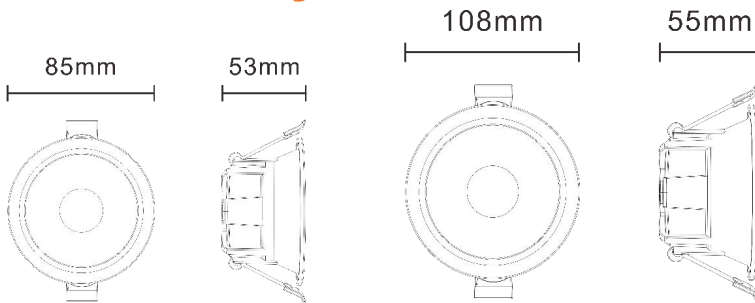
Temperature

Operating Temperature	-15°C ~ 50 °C
Testing Temperature	-20°C ~ 95 °C

Packing Data

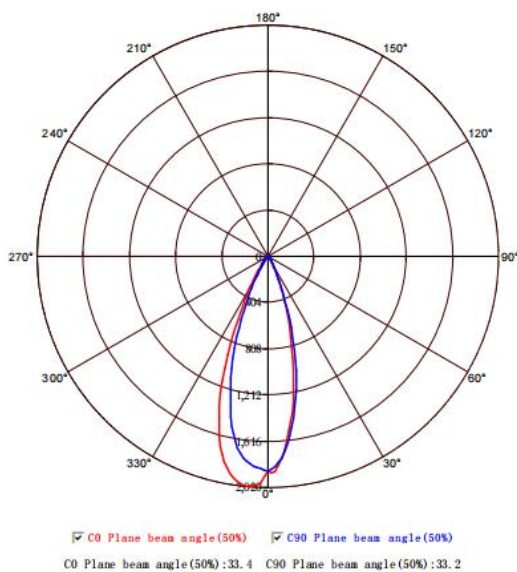
Item No	PCS/CTN	Gross Weight KG	Net Weight KG	Length CM	Width CM	Height CM
LPDL-10GS01-Y	60	9.8	8.4	49.5	21.5	40.5
LPDL-15GS01-Y	48	9.4	8	46	35	26.5

Dimensional Drawing



Item No	Power	Lights Size (mm)	Cutout Size (mm)
LPDL-10GS01-Y	10W	85x53	Φ 75-80
LPDL-15GS01-Y	15W	108x55	Φ 95-100

Planar Intensity Distribution Curve



Average Illumination

