



Features

- ✓ Anti-Glare
- ✓ CRI>83
- ✓ No Flicker UGR<19
- ✓ Elegant Light
- ✓ COB and SMD

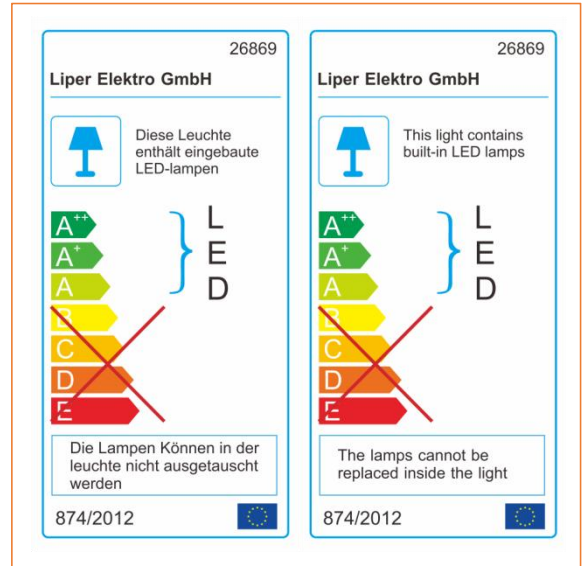
Benefits

- ✓ High Energy Saving
- ✓ High Efficiency
- ✓ Eye Protection
- ✓ Long Life Time
- ✓ Private Mold

Application



Certificate



Light Body



Specifications

| Item Number | Power (W) | Power Factor | Lumen (lm) | Efficiency (lm/W) | Input Current | CRI | Color Temperature | Life Time (hrs) |
|--------------|-----------|--------------|------------|-------------------|---------------|-----|-------------------|-----------------|
| LP-DL10G01-Y | 10W | >0.5 | 1000 lm | 100 lm/W | 88mA | >83 | CW/NW/WW/CCT | 50000 |
| LP-DL15G01-Y | 15W | >0.5 | 1500 lm | 100 lm/W | 120mA | >83 | CW/NW/WW/CCT | 50000 |
| LP-DL20G01-Y | 20W | >0.5 | 2000 lm | 100 lm/W | 160mA | >83 | CW/NW/WW/CCT | 50000 |
| LP-DL30G01-Y | 30W | >0.5 | 3000 lm | 100 lm/W | 240mA | >83 | CW/NW/WW/CCT | 50000 |

Technical specifications

| | |
|-----------------------------------|----------------------------------|
| On/Off Cycles | >100,000 |
| Color Tolerance Adjustment (SDCM) | <6 |
| IP | 44 |
| Class | II |
| LED Driver | DOB |
| LED Beads | 2835 6V/150MA |
| Housing Color | White/Black |
| Pressure Resistant | 3000V |
| Wire Diameter and Material | 0.75 mm ² Copper Wire |

Electrical Supply

| Power Range | 10W | 15W | 20W | 30W |
|----------------|---------|---------|---------|---------|
| Frequency (Hz) | 50/60 | 50/60 | 50/60 | 50/60 |
| Voltage (V) | 100-240 | 100-240 | 100-240 | 100-240 |
| AC/DC | AC | AC | AC | AC |
| Input Current | 88mA | 120mA | 160mA | 240mA |
| Output Voltage | DC60V | DC108V | DC78V | DC78V |
| Output Current | 150mA | 120mA | 230mA | 240mA |

Initial Performance (IEC Compliant)

| | |
|-----------------------------|--------|
| Luminous Flux Tolerance | +/-10% |
| Power Consumption Tolerance | +/-10% |

Lights Material

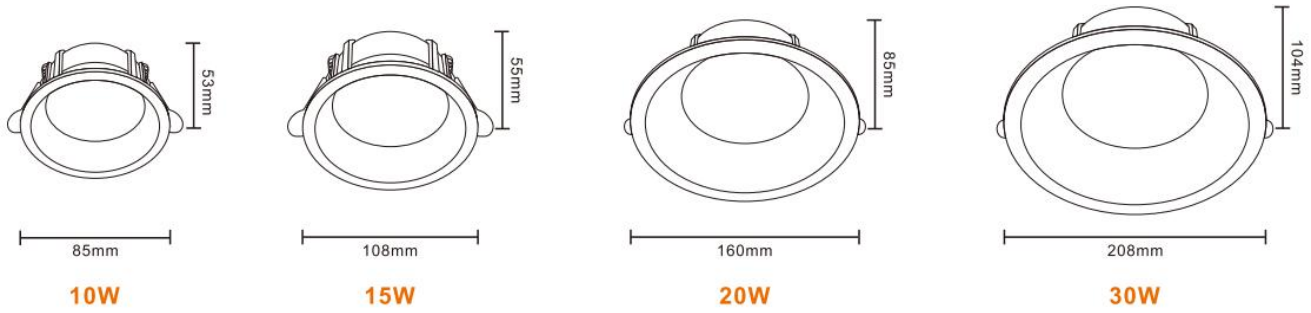
| | |
|------------------|----------------------|
| Housing Material | Die-casting Aluminum |
| Optical Material | Plastic |

Temperature

| | |
|-----------------------|---------------|
| Operating Temperature | -15°C ~ 50 °C |
| Testing Temperature | -20°C ~ 95 °C |



Dimensional Drawing

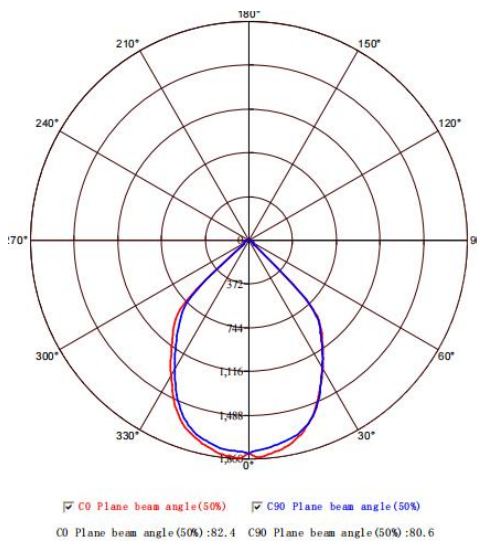


| Item No | Power | Body Size (mm) | Cut Out Size (mm) |
|--------------|-------|----------------|-------------------|
| LP-DL10G01-Y | 10W | 85*53 | 75-80 |
| LP-DL15G01-Y | 15W | 108*55 | 95-100 |
| LP-DL20G01-Y | 20W | 165*85 | 145-150 |
| LP-DL30G01-Y | 30W | 215*104 | 190-200 |

Packing Data

| Item No | PCS/CTN | Gross Weight KG | Net Weight KG | Length CM | Width CM | Height CM |
|--------------|---------|-----------------|---------------|-----------|----------|-----------|
| LP-DL10G01-Y | 60 | 9.8 | 8.4 | 49.5 | 21.5 | 40.5 |
| LP-DL15G01-Y | 48 | 9.4 | 8 | 46 | 35 | 26.5 |
| LP-DL20G01-Y | 18 | 7.8 | 5.2 | 52 | 28 | 35.5 |
| LP-DL30G01-Y | 6 | 4.6 | 2.8 | 45 | 35 | 24 |

Planar Intensity Distribution Curve



Average Illumination

