



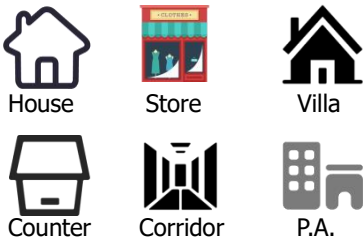
Features

- ✓ CRI>90
- ✓ No Flicker
- ✓ UGR<19
- ✓ Modern
- ✓ CCT Adjustable

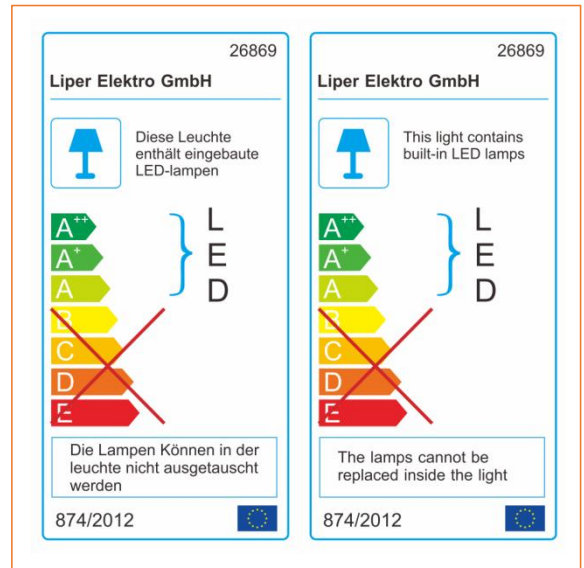
Benefits

- ✓ High Energy Saving
- ✓ High Efficiency
- ✓ Eye Protection
- ✓ Long Life Time
- ✓ Private Mold

Application



Certificate



Body Colors



specifications

Item Number	Power (W)	Power Factor	Lumen (lm)	Efficiency (lm/W)	Input Current	CRI	Color Temperature	Life Time (hrs)
LPTRL-20F01	20W	>0.67	2000 lm	100 lm/W	170mA	>83	WW/CW/NW/CCT	50000
LPTRL-30F01	30W	>0.67	3000 lm	100 lm/W	270mA	>83	WW/CW/NW/CCT	50000
LPTRL-20F02	20W	>0.67	2000 lm	100 lm/W	170mA	>83	WW/CW/NW/CCT	50000
LPTRL-30F02	30W	>0.67	3000 lm	100 lm/W	270mA	>83	WW/CW/NW/CCT	50000



Technical specifications

On/Off Cycles	>100,000
Color Tolerance Adjustment (SDCM)	<6
IP	20
Class	II
LED Driver	DOB
LED Beads	COB 1919-17
Housing Color	White/Black
Pressure Resistant	3000V
Wire Diameter and Material	0.75 m ² Copper Wire

Electrical Supply

Power Range	20W	30W
Frequency (Hz)	50/60	50/60
Voltage (V)	100-240	100-240
AC/DC	AC	AC
Input Current	170mA	270mA

Initial Performance (IEC Compliant)

Luminous Flux Tolerance	+/-10%
Power Consumption Tolerance	+/-10%

Lights Material

Housing Material	Aluminium
Optical Material	Plastic

Temperature

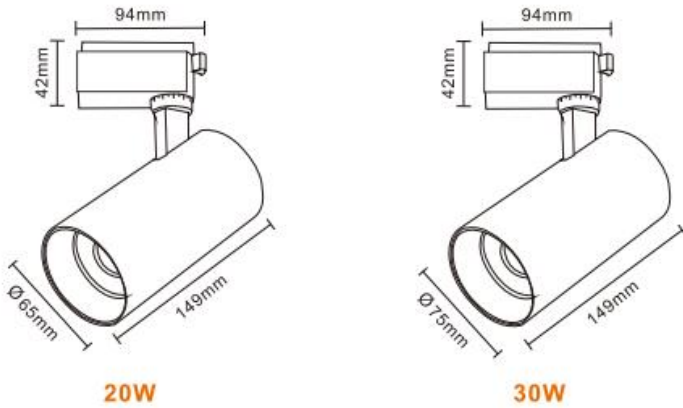
Operating Temperature	-15°C ~ 50°C
Testing Temperature	-20°C ~ 95°C



Packing Data

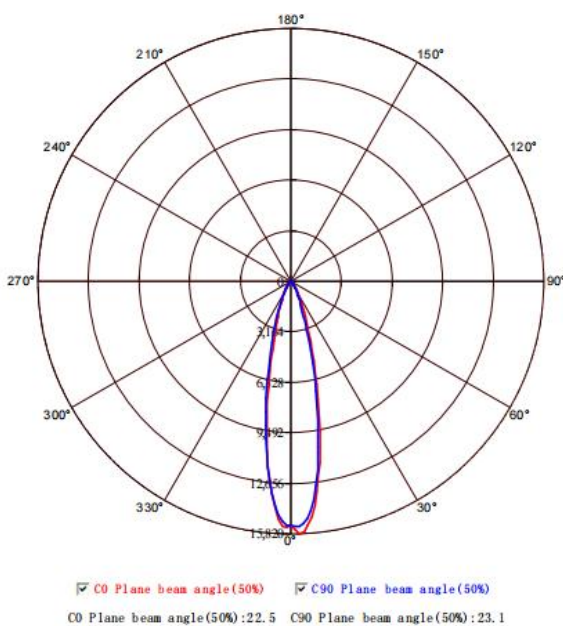
Item No	PCS/CTN	Gross Weight KG	Net Weight KG	Length CM	Width CM	Height CM
LPTRL-20F01	20	6	4.6	41	32.9	23.5
LPTRL-30F01	20	7.9	6.1	41.5	38.5	22.5

Dimensional Drawing



Item No	Power	Length (mm)	Width (mm)	Height (mm)
LPTRL-20F01	20W	94	65	149
LPTRL-30F01	30W	94	75	149

Planar Intensity Distribution Curve



Average Illumination

